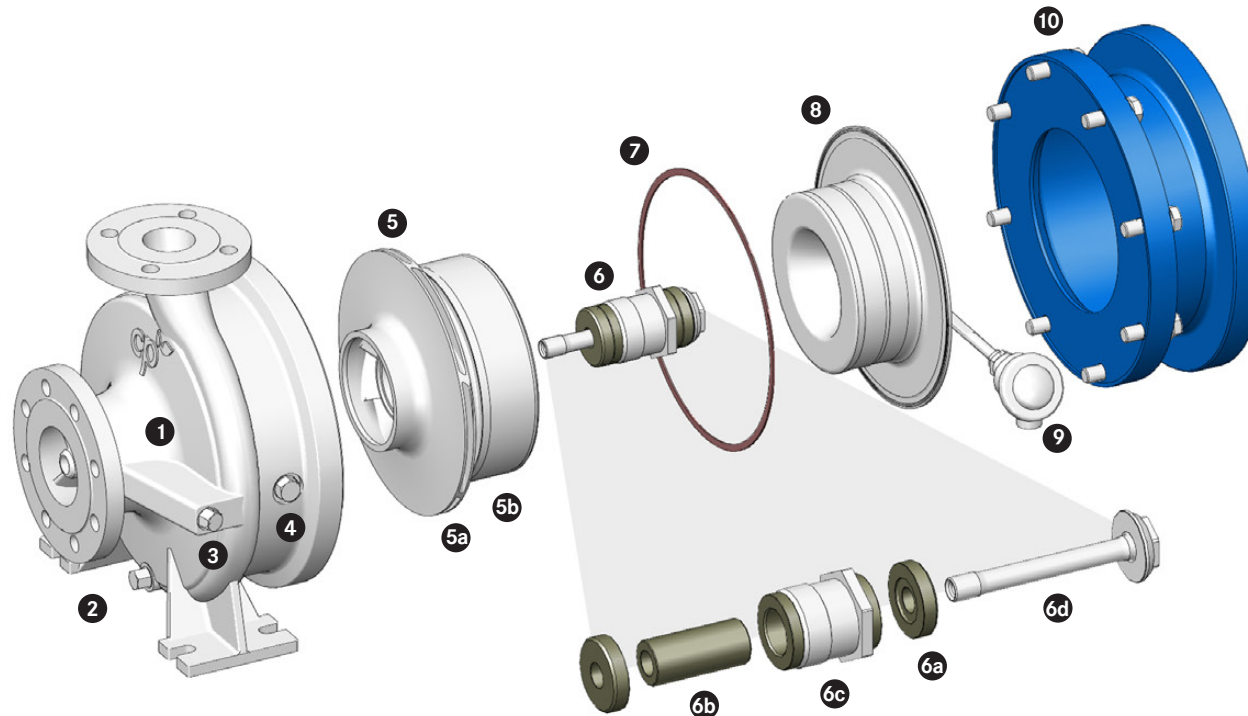
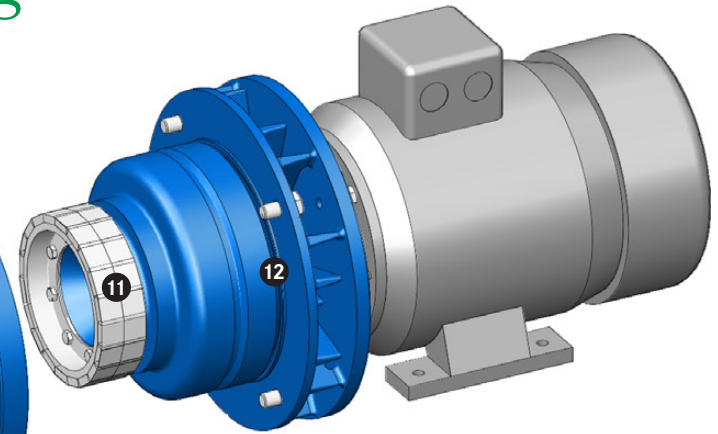


MKP – Stainless Steel Magnetic Drive Chemical Process Pump

The CP drive principle with central bearing

Efficient – Robust – Safe



Technical data

Capacities (min./max.) 0.25 to 1300 m³/h | 1.1 to 5723.73 gpm

Heads (min./max.) 3 to 230 m | 9.84 to 475.72 ft

Temperatures (min./max.) -100 to +350°C | -148 to 662°F

Kinematic viscosities 0.5 to 350 mm²/s | cSt

Up to 30% solids concentration and 1 mm particle size, depending on the pumped fluid.*

*In general, media with solids content can be transported, but application-specific verification in advance is necessary.

- 1 Pump casing
- 2 Casing drain
- 3 Internal bearing lubrication or external flush connection
- 4 Pt100 temperature probe connection
- 5 Impeller unit consisting of:
 - 5a Impeller
 - 5b Driven magnet assembly attached to impeller (on product side)

- 6 Central bearing (impeller attachment by means of locking sleeve) consisting of:
 - 6a Thrust bearing ring
 - 6b Bearing sleeve
 - 6c Bearing bush assembly
 - 6d Clamping sleeve
- 7 Casing seal

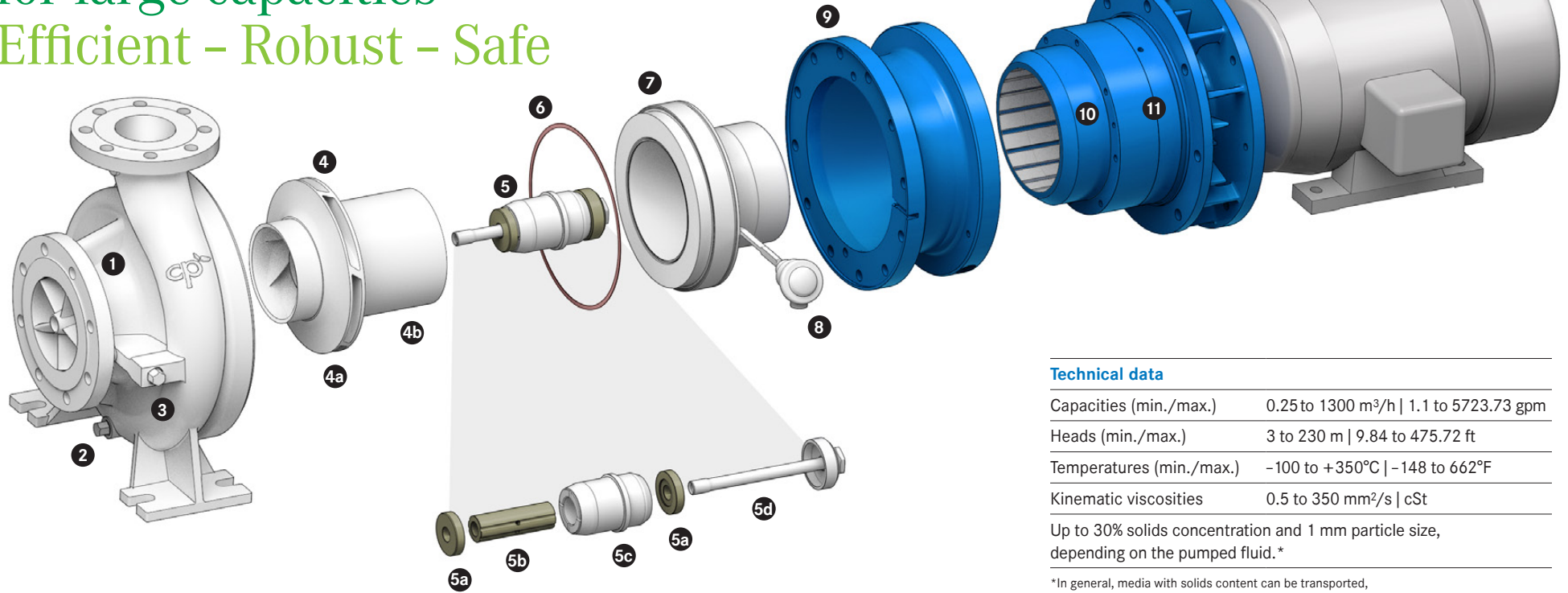
- ** 8 Hermetically sealed containment shell (primary seal)
- 9 Containment shell thermocouple
- 10 Lantern
- 11 Outside magnetic coupling attached to the flywheel mass (on atmosphere side)
- 12 Secondary seal (optional)

CP's unique drive principle **without plain bearing carrier.

MKP – Stainless Steel Magnetic Drive Chemical Process Pump

The CP drive principle with central bearing for large capacities

Efficient – Robust – Safe



Technical data

Capacities (min./max.)	0.25 to 1300 m ³ /h 1.1 to 5723.73 gpm
Heads (min./max.)	3 to 230 m 9.84 to 475.72 ft
Temperatures (min./max.)	-100 to +350°C -148 to 662°F
Kinematic viscosities	0.5 to 350 mm ² /s cSt

Up to 30% solids concentration and 1 mm particle size, depending on the pumped fluid.*

*In general, media with solids content can be transported, but application-specific verification in advance is necessary.

- 1 Pump casing
- 2 Casing drain
- 3 Internal bearing lubrication or external flush connection
- 4 Impeller unit consisting of:
 - 4a Impeller
 - 4b Driven magnet assembly attached to impeller (on atmosphere side)

- 5 Central bearing (impeller attachment by means of locking sleeve) consisting of:
 - 5a Thrust bearing ring
 - 5b Bearing sleeve
 - 5c Bearing bush assembly
 - 5d Clamping sleeve
- 6 Casing seal

- 7 Hermetically sealed containment shell (primary seal)
- 8 Containment shell thermocouple
- 9 Lantern
- 10 Inside magnetic coupling attached to the flywheel mass (on product side)
- 11 Secondary seal (optional)

CP's unique drive principle **without plain bearing carrier.