

MSKP

Solid PTFE Magnetic Drive Chemical Process Pump



With its sealless design, the MSKP magnetic drive pump is ideal to meet the stringent requirements of chemical processing and a multitude of other industries. This highly advanced and extremely energy efficient pump is built to handle corrosive fluids reliably and absolutely safely, especially in applications requiring resistance to permeation.

The pump casing is constructed of thick vacuum-, corrosion- and permeation-resistant solid plastic. Use of carbon filled PTFE prevents electrostatic charging on the casing. Alternatively, the pump is also available in virgin PTFE or PVDF.

Made of pure SSiC (sintered silicon carbide) in a robust design engineered for ceramics, the bearing assembly ensures highly reliable operation. Plain and thrust bearings are secured with polygonal form-fit, self-centring anti-rotation devices.

The MSKP features a closed radial-flow plastic impeller with a metal core for increased mechanical strength.

This pump's connection dimensions and performance data conform to DIN EN ISO 2858, making the MSKP easy to retrofit into any installation to replace old pumps. A comprehensive array of options is available for the MSKP and can be combined to meet individual needs.

Configurations

Close-coupled, bearing-frame

Mounts

- Baseplate

Casing materials

- PTFE carbon-filled
- PTFE virginial
- PVDF

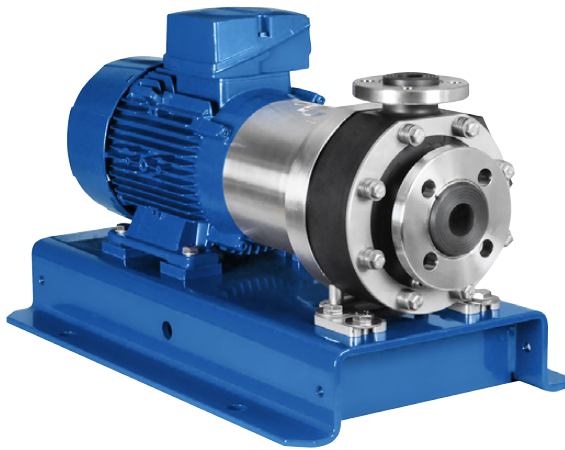
Pump protection

- Containment shell leakage monitoring
- Pt100 temperature
- Engine load sensor

Industries, processes and fluids

Learn more about typical applications:





Technical data

Capacities (min./max.)	0.2 to 140 m ³ /h 0.88 to 616.40 gpm
Heads (min./max.)	11 to 90 m 3.28 to 295.28 ft
Temperatures (min./max.)	-20 to +150°C -4 to 302°F
Kinematic viscosities	0.5 to 350 mm ² /s cSt
Solids handling	up to 5% solids concentration, depending on the pumped fluid

Directives and standards

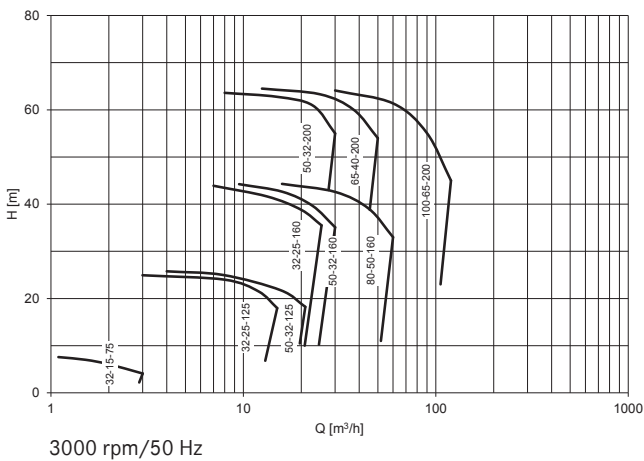
EC Machinery Directive

EC ATEX Directive

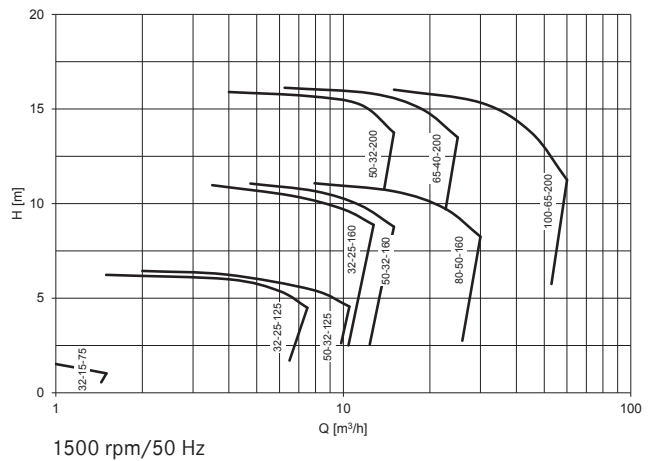
DIN EN ISO 2858

DIN EN ISO 5199

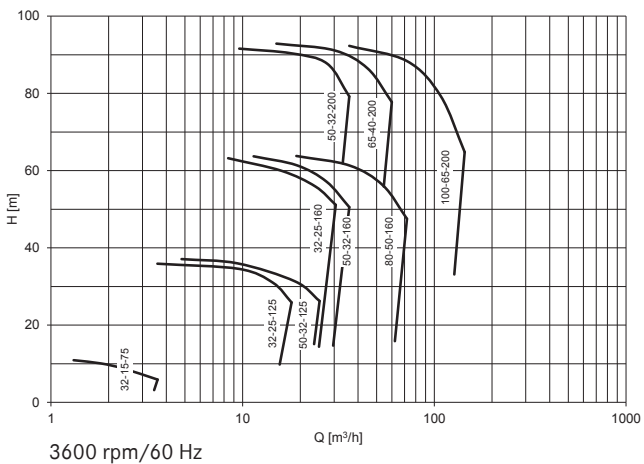
DIN EN ISO 15783



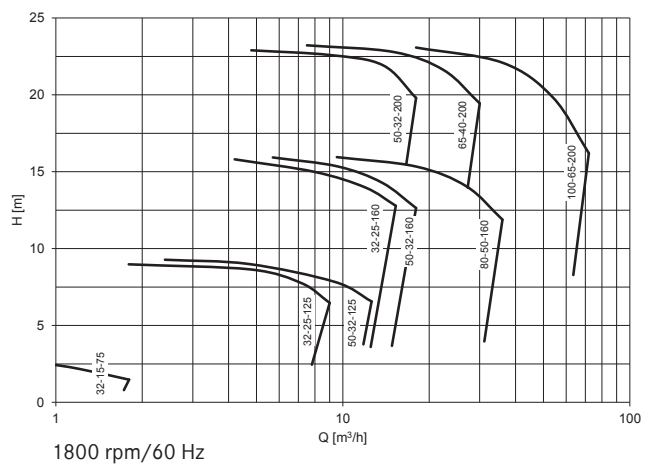
3000 rpm/50 Hz



1500 rpm/50 Hz



3600 rpm/60 Hz



1800 rpm/60 Hz

Find your local CP distributor on www.cp-pumps.com or contact CP directly:
+41 62 746 85 85/info@cp-pumps.com

